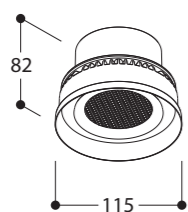


NAME	ORBITAL BASIC TRIMLESS "THROUGH FLOW"
------	--

REFERENCE	TAL	ETP	
	650106	AV00106	TEXT. BLACK
	650107	AV00107	TEXT. WHITE



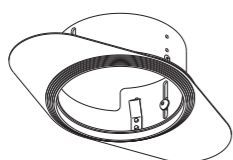
SPECIFICATIONS	Ventilation valve	Supply air/extract air
	Adjustable flow regulator	Not incorporated
	Material	Powdercoated aluminium
	Installation	Frame with springs
	Weight	0,4

MAXIMUM FLOW RATE	SOUND POWER (dB(A))	FLOW RATE (m³/h)	
		SUPPLY	EXHAUST
	35,0	93,0	94,0
	30,0	77,0	77,0
	25,0	63,0	62,0

ACCESSORY (required for installation)

NAME	ORBITAL TRIMLESS FRAME
------	------------------------

REFERENCE	TAL	ETP
	701112	AV00190

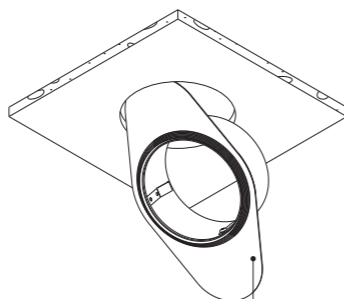


Installation depth / cut out 180mm Ø140mm

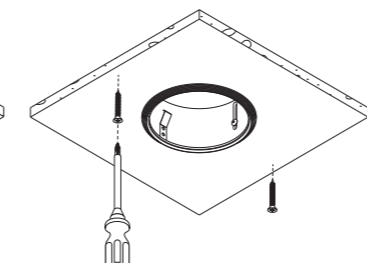
INSTALLATION

A ORBITAL TRIMLESS IN PLASTERBOARD (HOLLOW CEILINGS)

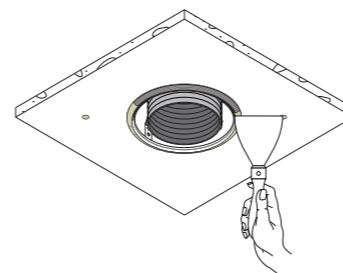
1 Make hole size Ø140mm (min. depth: 180mm)



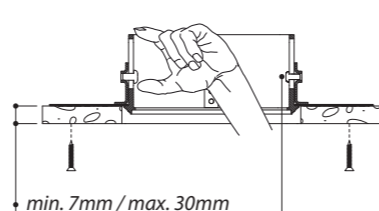
2 Screw to ceiling & level the orbital plasterkit



3 Plaster the edge and paint the ceiling



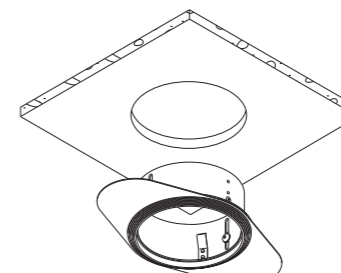
701112
Orbital trimless frame



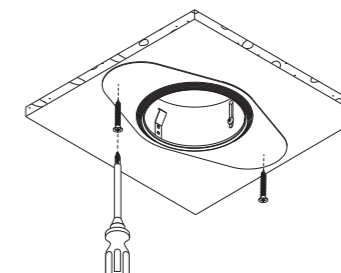
O3

B ORBITAL TRIMLESS ON PLASTERBOARD (SOLID CEILINGS)

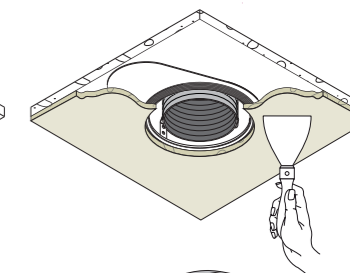
1 Make hole size Ø140mm (min. depth: 180mm)



2 Screw to ceiling & level the orbital plasterkit



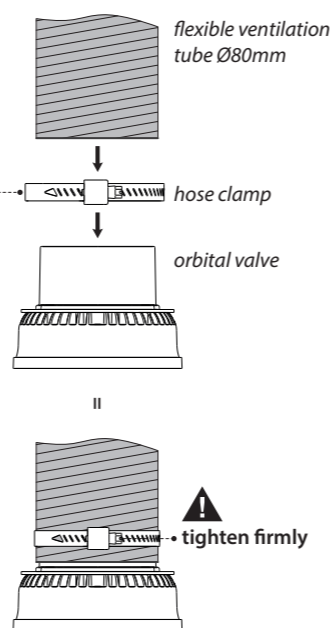
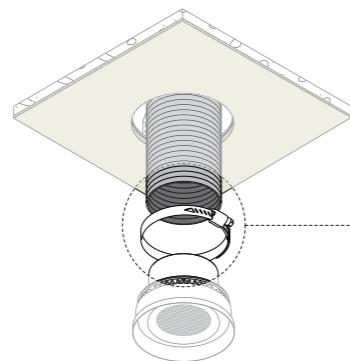
3 Plaster and paint the ceiling



min. 7mm / max. 30mm

O3

4 Connect ventilation tube to the valve with hose clamp (not included)



5 Push the valve gently into the frame

